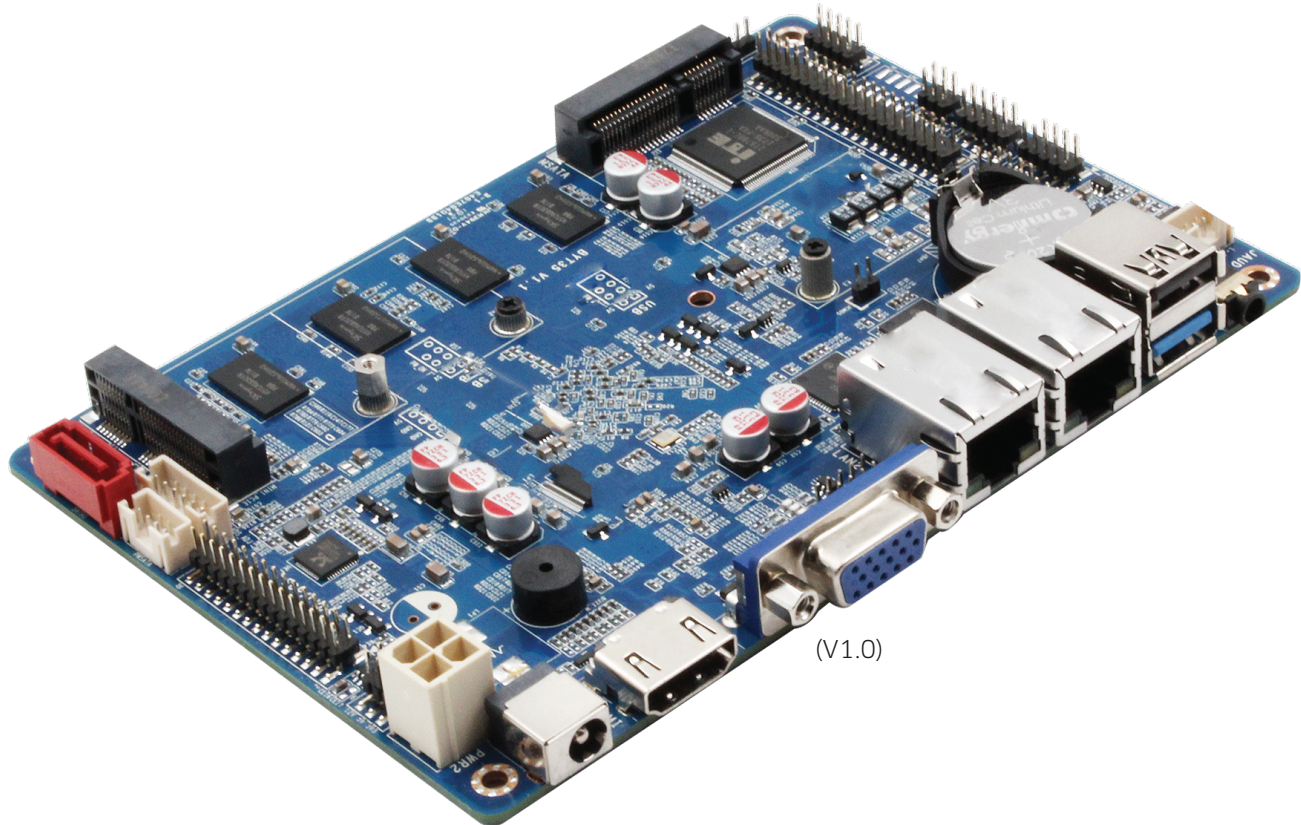


BYT-35

Intel® Bay Trail based 3.5" Disk Size Motherboard



Features

- CPU: Intel Bay Trail BGA processor
- Memory: Onboard dual-channel DDR3L up to 4GB
- Display: Intel Graphics display via VGA, HDMI, eDP/LVDS
- Ethernet: 10/100/1000Mbps
- Storage: SATA2.0, mSATA, eMMC optional
- Expansion: mini PCIe for WiFi, Mirco SIM
- Power: 12V/19V DC input, or 12V~36V Optional



IoT Solutions
Alliance
Industrial Solution
Builders Specialist

Maxtang[®]

MAXIMIZING YOUR COMPUTING PRODUCTIVITY

Introduction

The Maxtang SBC-BYT35 is an embedded motherboard based on the Intel Bay Trail processor, provides powerful performance with low power consumption. Supports on-board dual-channel DDR3L up to 4GB, display via HD Graphics through HDMI, VGA, and eDP/LVDS. Features two 10/100/1000 Mbps Ethernet controllers, mSATA, SATA2.0 for storage. Micro-SIM for expansion, mini-PCIe for WiFi, and eMMC optional. A rich input/output interface includes 6x COM, 1x USB3.2, 5xUSB2.0, 8x GPIO, Audio Ports (Mic-in+ Line-out) with standard 12V/19V DC-IN or 12V~36V optional, caters to most market's requirement.

The SBC-BYT35 is an ideal solution for various industrial applications. It retains the robust design of all Maxtang product lines at a new cost-effective price point. Its powerful features provide you a great user experience, increase your productivity with stability, reliability. Maxtang is a member of the Intel IoT Solutions Alliance on Industrial Solution Builders Specialist. Our goal is to provide you the best products with high quality and cost advantages.



H/W Monitor



Watchdog

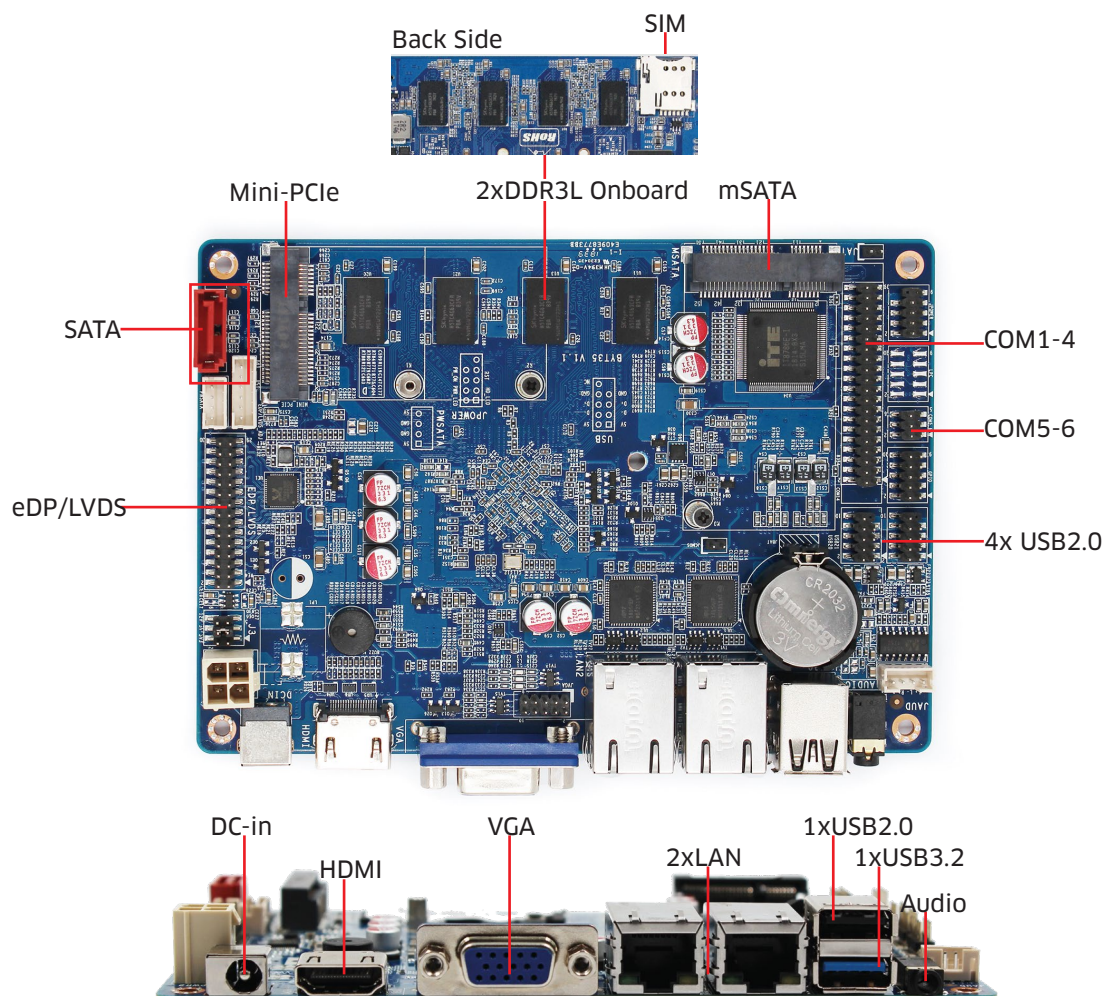


GPIO



Brightness

I/O Interfaces

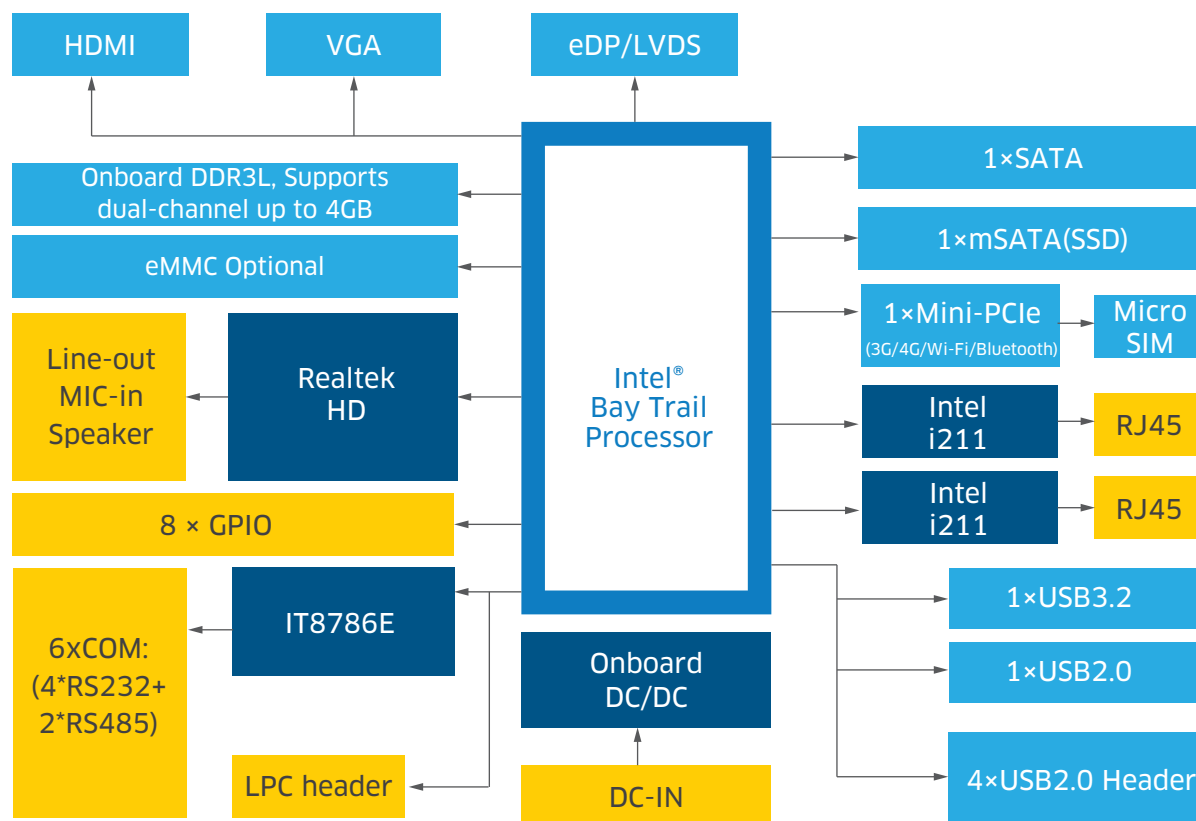


Technical Specifications

Processor	CPU	J1800	J1900	N2940
	Base Frequency	2.41 GHz	2.00 GHz	1.83 GHz
	Burst Frequency	2.58 GHz	2.42 GHz	2.25 GHz
	Cache	1MB L2	2MB L2	2MB L2
	BIOS	AMI UEFI BIOS		
Memory	Type	Onboard DDR3L, supports dual-channel		
	Max. Capacity	4 GB		
Display	GPU	Intel Integrated Graphics based on CPU		
	Type	1xHDMI + 1xVGA + 1xeDP/LVDS		
Ethernet	Speed	10/100/1000 Mbps		
	Controller	Intel i211		
	Interface	RJ45		
Audio	Audio codec	Realtek HD		
	Interface	Line-out+mic-in (2-in-1), audio header, amplifier header		
Hardware	CPU system temperature, on-board voltage, watchdog			
Storage	mSATA	1x mSATA for SSD		
	SATA2.0	1		
	eMMC	Optional		
Expansion	Mini PCIe	1x mini PCIe for Wi-Fi/3G/4G/Bluetooth		
	Micro SIM	1		
I/O Interface	LAN	2		
	COM	6xCOM: 4*RS232+2*RS485		
	USB2.0	5 (1*Port+4*Header)		
	USB3.2	1		
	GPIO	8		
	Audio	1 (Mic-in+Line-out)		
	LPC	Optional		
	Dimension	Size	146 mm x 102 mm	
Board type		3.5" Disk Size SBC		
Power	Standard Port	12V/19V DC-in / 4-Pin Power, or 12V~36V optional		
	Peripheral Input	For SATA power		
	LED Indicator	Power Indicator		
Temperature	Operating Temp.	-20°C to 60°C		
	Storage Temp.	-40°C to 80°C		
Operating System	Win 7, Win 10 32/64bit, Linux			

* All specifications and photos are subject to change without notice.

Functional Block Diagram



Order Information

Model Name	Description
DTJ1900-I-4G	DT 3.5INCH Intel Celeron J1900 BYT35V1 2LAN 4*RS232+2*RS485 DDR3L 4G LVDS
DTJ1900-I-E	DT 3.5INCH Intel Celeron J1900 BYT35V1 2LAN 4*RS232+2*RS485 DDR3L 4G EDP

*For customized options, please consult regional sales. And please confirm the model name and description before purchasing. *The model name and description might vary due to inventory changes.