

SXRL-20

Intel® Alder Lake/Raptor Lake-U Processor based Fanless Mini PC
Support 4HDMI_OUT plus 1HDMI_IN for multiple displays.



Features

- CPU: Intel® Alder Lake/Raptor Lake-U Processor
- Memory: Dual Channel SO-DIMM DDR4 up to 64GB
- Display: Integrated Intel® UHD/Iris® Xe Graphics
- Ethernet: 10/100/1000/2500Mbps
- Storage: M.2 Slot for NVMe/SATA SSD, M.2 Slot for NVMe SSD
- I/O Ports: 2xLAN, 1xCOM, 2xUSB3.2, 1xUSB2.0, 1xUSB-C, SIM, 4xHDMI_OUT, 1xHDMI_IN, Wired Control
- Power: 19V DC-in/Phoenix 2-pin Optional



IoT Solutions
Alliance
Industrial Solution
Builders Specialist

Introduction

The Maxtang SXRL-20 fanless embedded mini-PC redefines computing power and versatility for digital signage and multitasking environments. Powered by the Intel® Alder Lake-U/Raptor Lake-U processor, it offers exceptional performance and efficiency. With support for up to 64GB dual-channel SO-DIMM DDR4 memory, expandable storage options, and extensive connectivity including four HDMI 2.0 outputs and one HDMI input(Core i7-1255U/1355U), it's designed to meet diverse application needs with ease.

Its compact form factor, all-aluminum metal chassis, and mounting compatibility make it ideal for space-saving deployments in retail, hospitality, education, healthcare, and industrial settings. The advanced passive cooling design ensures silent operation, enhancing user experience and reliability for long-term usage. The Maxtang SX series sets a new standard for fanless mini-PCs, delivering superior performance, connectivity, and durability for seamless integration into various environments.



H/W Monitor



Watchdog

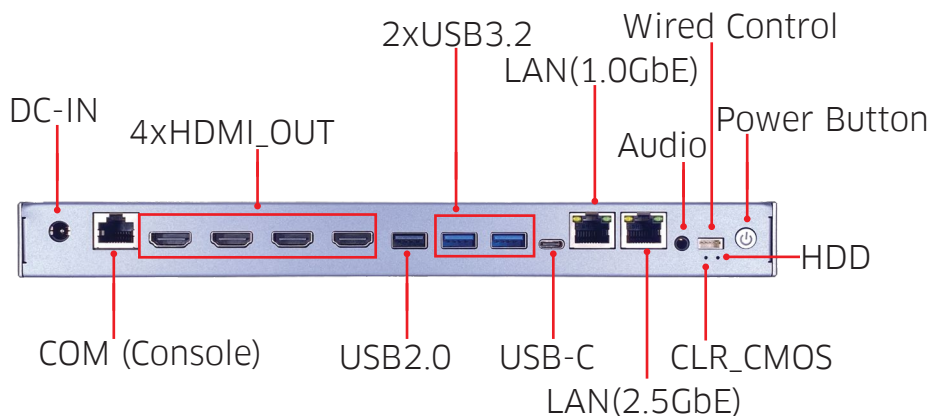
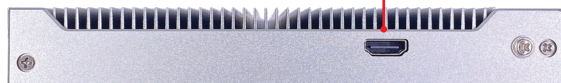


I/O Interfaces

Antennas hole



HDMI_IN (Available on the Core i7-1255U/1355U only.)

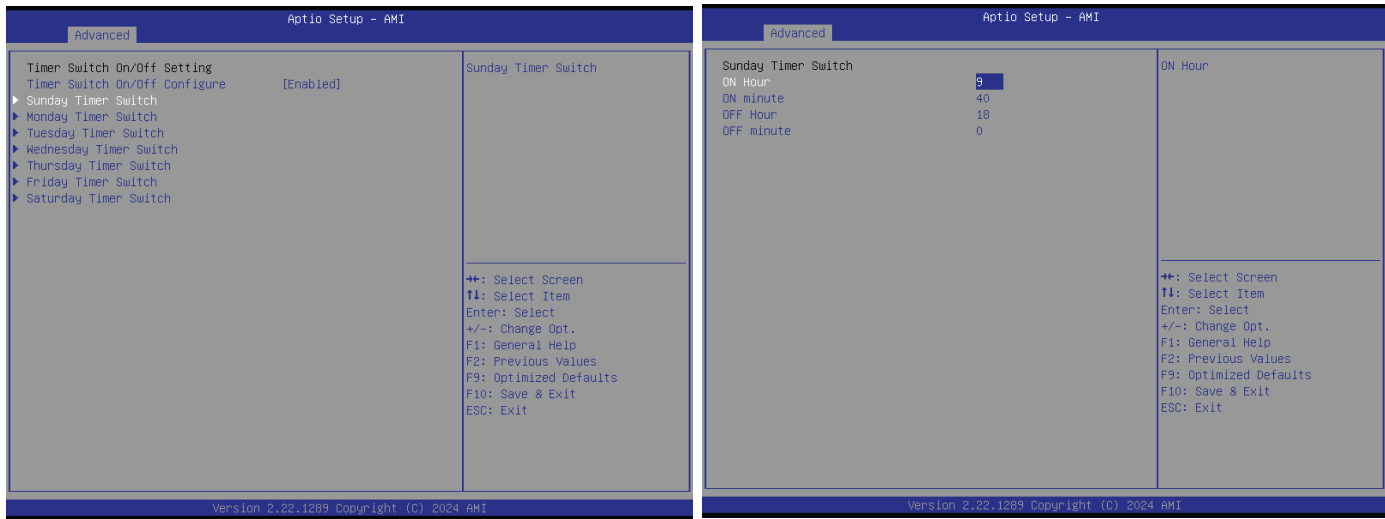


Technical Specifications

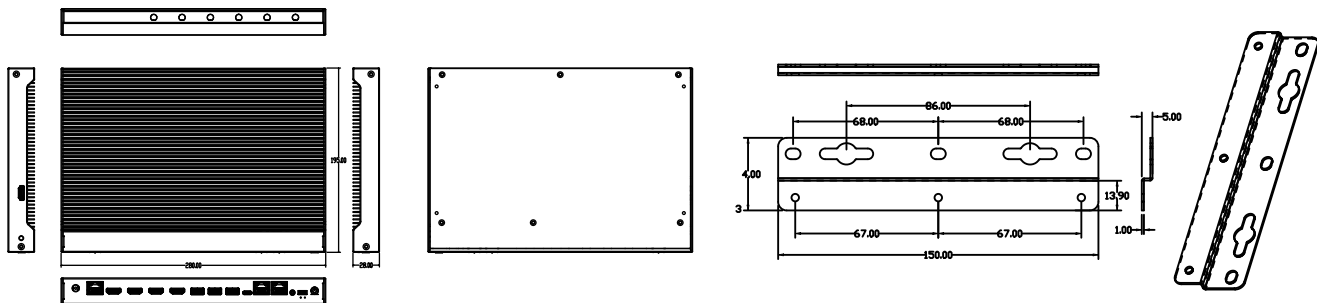
Processor	Alder Lake-U Series	i3-1215U	i5-1235U	i7-1255U	
	Total Cores/Threads	6C/8T	10C/12T	10C/12T	
	P-core Max Turbo Frequency	4.40GHz	4.40GHz	4.70GHz	
	E-core Max Turbo Frequency	3.30GHz	3.30GHz	3.50GHz	
	Intel® Smart Cache	10MB	12MB	12MB	
	Raptor Lake-U Series	i3-1315U	i5-1335U	i7-1355U	
	Total Cores/Threads	6C/8T	10C/12T	10C/12T	
	P-core Max Turbo Frequency	4.50GHz	4.60GHz	5GHz	
	E-core Max Turbo Frequency	3.30GHz	3.40GHz	3.70GHz	
	Intel® Smart Cache	10MB	12MB	12MB	
	BIOS	AMI UEFI BIOS			
	Memory	Type	Dual Channel SO-DIMM DDR4		
		Max. Capacity	64GB		
	Display	GPU	Integrated Intel® UHD/Iris® Xe Graphics		
Display via		4x HDMI2.0_out 1x HDMI_in (Available on the Core i7-1255U/1355U only.)			
Ethernet	Max. Speed	10/100/1000/2500Mbps			
	Controller	1xIntel i226 1xIntel i219			
	Interface	2xRJ45			
	Wake on LAN	Yes			
	Audio	Audio Codec	CONEXANT HD CX20632		
Storage	Interface	1x CTIA 2 in 1 Audio Jack			
	M.2_N/S	1x M.2_2280 Slot for NVMe/SATA SSD			
Expansion	M.2_N	1x M.2_2280 Slot for NVMe SSD			
	M.2_E	1x M.2 Slot for WiFi&BT. Support PCIe & Intel® Integrated Connectivity(CNVi).			
	M.2_4G/5G	1x M.2 Slot for 4G/5G			
Other I/O	SIM Slot	1			
	COM	1xRS232 RJ45 Console			
	USB2.0	1			
	USB3.2	2			
	USB-C	1xUSB-C, USB3.2 ONLY			
	Wired Control	1			
	TPM	Onboard, optional			
	RTC	Support RTC set up, independently for each day of the week			
Dimension	Size	280mm x 195mm x 28mm			
Weight	N.W.	TBD			
Power	Standard Port	19V DC-IN.			
	Optional	Phoenix_2PIN			
Temperature	Operating Temp.	- 20°C to 60°C			
	Storage Temp.	- 40°C to 80°C			
Cooling Method	Passive				
Operating System	Windows 10/11 64bit, Linux 64bit				

RTC Function Support

The SXRL-20 supports the Real Time Clock(RTC) function. Users can set up independent power on/off scheduling for each day of the week.



Dimension & Mounting Option (in mm)



Copyright © 2024, Maxtang Technology Co., Ltd. All rights reserved. All data is for information purposes only and not guaranteed for legal purposes. Information has been carefully checked and is believed to be accurate however, no responsibility is assumed for inaccuracies. Maxtang and the Maxtang logo and all other trademarks or registered trademarks are the property of their respective owners and are recognized. The terms HDMI, HDMI High-Definition Multimedia Interface, HDMI Trade dress, and HDMI Logos are trademarks or registered trademarks of HDMI Licensing Administrator, Inc.